

Accessories



Peepsights

PSLT & PSHT (E5711 rev. 05 - 07/06/2011)



GENERAL WARNINGS:



■ All installation, maintenance, ignition and setting must be performed by qualified staff, respecting the norms present at the time and place of the installation.

■ To avoid damage to people and things, it is essential to observe all the points indicated in this handbook. The reported indications do not exonerate the Client/User from observing general or specific laws concerning accidents and environmental safeguarding.

■ The operator must wear proper DPI clothing (shoes, helmets...) and respect the general safety, prevention and precaution norms.

■ To avoid the risks of burns or high voltage electrocution, the operator must avoid all contact with the burner and its control devices during the ignition phase and while it is running at high temperatures.

■ All ordinary and extraordinary maintenance must be performed when the system is stopped.

■ To assure correct and safe use of the combustion plant, it is of extreme importance that the contents of this document be brought to the attention of and be meticulously observed by all personnel in charge of controlling and working the devices.

■ The functioning of a combustion plant can be dangerous and cause injuries to persons or damage to equipment. Every burner must be provided with certified combustion safety and supervision devices.

■ The burner must be installed correctly to prevent any type of accidental/undesired heat transmission from the flame to the operator or the equipment.

■ The performances indicated in this technical document regarding the range of products are a result of experimental tests carried out at ESA-PYRONICS. The tests have been performed using ignition systems, flame detectors and supervisors developed by ESA-PYRONICS. The respect of the above mentioned functioning conditions cannot be guaranteed if equipment, which is not present in the ESA-PYRONICS catalogue, is used.

DISPOSAL:



To dispose of the product, abide by the local legislations regarding it.

GENERAL NOTES:



■ In accordance to the internal policy of constant quality improvement, ESA-PYRONICS reserves the right to modify the technical characteristics of the present document at any time and without warning.

■ It is possible to download technical sheets which have been updated to the latest revision from the www.esapyronics.com website.

CERTIFICATIONS:



EN746-2

The products manufactured by ESA-PYRONICS have been created in conformity to the **UNI EN 746-2:2010** Norms: Equipment for industrial thermal process - Part 2: Safety requirements for combustion and the movement and treatment of combustible elements. This norm is in harmony with the Machine Directive **2006/42/CE**. It is certified that the products in question respect all the requirements prescribed by the above mentioned Norms and Directives. These have been designed, produced, controlled and tested in accordance to the company's internal procedures for quality control, certified in conformity with the **UNI EN ISO 9001:2008** Norm by DNV Italia s.r.l.



The products conform to the Russian market requirements according to the **GOST** and **GOSGORTEKHNAZDZOR** certification.

CONTACTS / SERVICE:



Headquarters:

Esa S.p.A.
Via Enrico Fermi 40
24035 Curno (BG) - Italy
Tel +39.035.6227411
Fax +39.035.6227499
esa@esacombustion.it

International Sales:

Pyronics International s.a.
Zoning Industriel, 4ème rue
B-6040 Jumet - Belgium
Tel +32.71.256970
Fax +32.71.256979
marketing@pyronics.be

www.esapyronics.com

The PSLT & PSHT series identifies a range of peepsights that allow to visually check the flame conditions of a burner. The suffix LT (Low Temperature) indicates that the peepsight is meant for low temperature applications, whilst the suffix HT (High Temperature) indicates that the peepsight is meant for high temperature applications.

APPLICATIONS

- Flame inspection on each type of burner.
- Strategic positions where it is necessary to visually check the flame or combustion chamber.

CHARACTERISTICS

PSLT SERIES:

- Maximum working temperature: 120°C

MATERIAL COMPOSITION:

- Body: brass
- Glass: pyrex

PSHT SERIES:

- Maximum working temperature: 480°C
- Maximum working pressure: 3,5 bar

MATERIAL COMPOSITION:

- Body: AVP
- Glass: pyrex

DESCRIPTION

“PSLT” peepsights for low temperatures consist of one brass block and incorporated into them is a pyrex glass of about 3mm, two gaskets in fasit-oil (no asbestos) and one in EPDM that guarantee perfect tightness. It is advisable not to use them for temperatures higher than 120°C. The body of the “PSHT” high temperature peepsights is made of AVP with pyrex glass and gaskets in AFM34 that are resistant to high temperatures. Each piece has a socket of 1/4” for the cooling air connection. Glass, body and gaskets have been designed for a pressure of 3,5 bar and a maximum temperature of 480°C.

WARNINGS

- - Before installing check the integrity of the peepsight making sure that the glass is not damaged or cracked and that the thread is free of impurities.

PSLT



F571103

PSHT



F571104

INSTALLAZIONE

- - The peepsight can be installed in any position and orientation on the burner.
- - Carefully screw on the peepsight using appropriate fixed spanners.
- - Before mounting the peepsight, place sealing paste on the threads, in case of installation on tubes where fuel gas or premixture is present.

MAINTENANCE

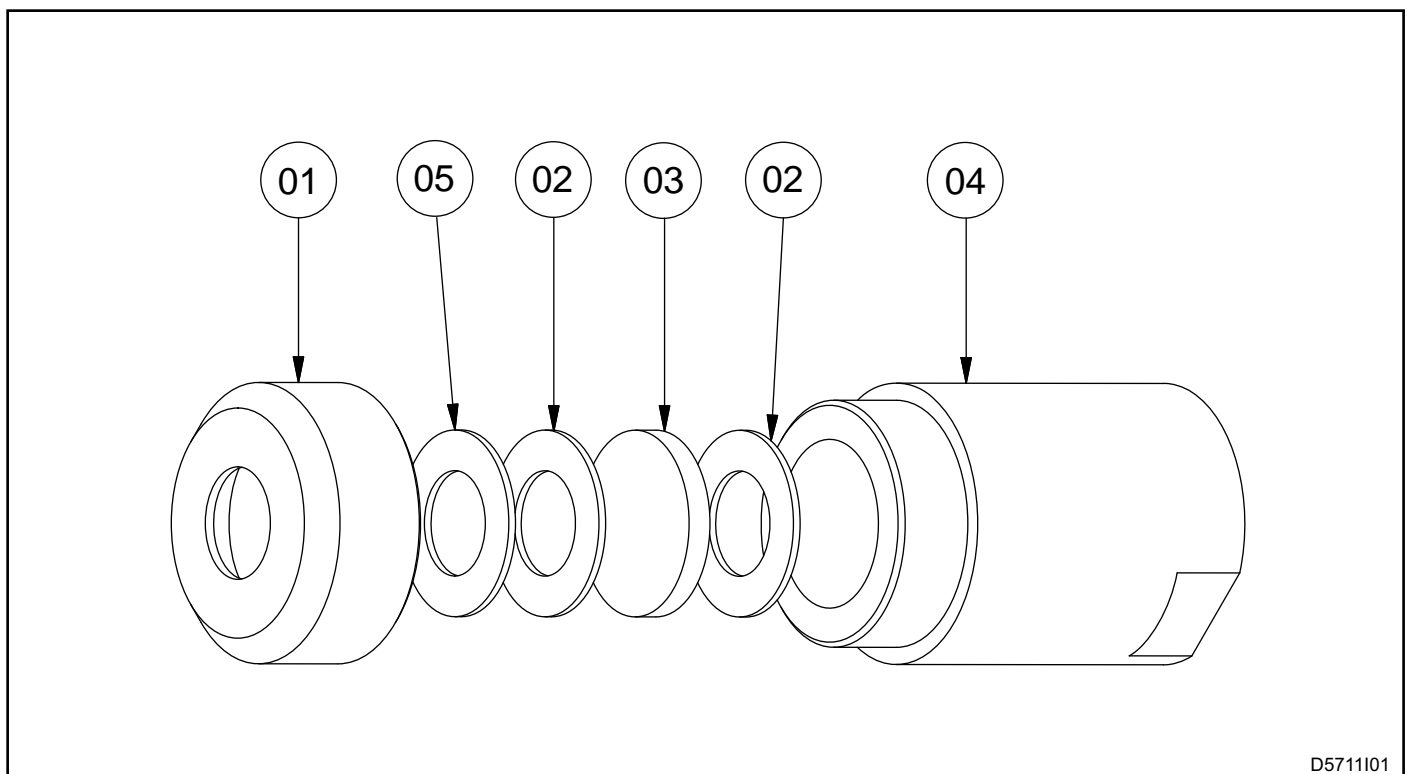
It is not possible to perform any type of maintenance on the PSLT peepsights nor on its components. In case of rupture replace the damaged piece. It is thus highly recommended that you purchase spare parts to prevent not being able to replace them as soon as possible.

Proceed in the following way:

- 1 - Operate when burner is off and cold.
- 2 - If the peepsight glass is dirty, clean with unabrasive detergent, if it is broken, replace the peepsight.
- 3 - If the peepsight needs replacing, dismantle it with appropriate fixed spanners.
- 4 - Replace the part placing sealing paste on the thread and screw on with appropriate fixed spanners.

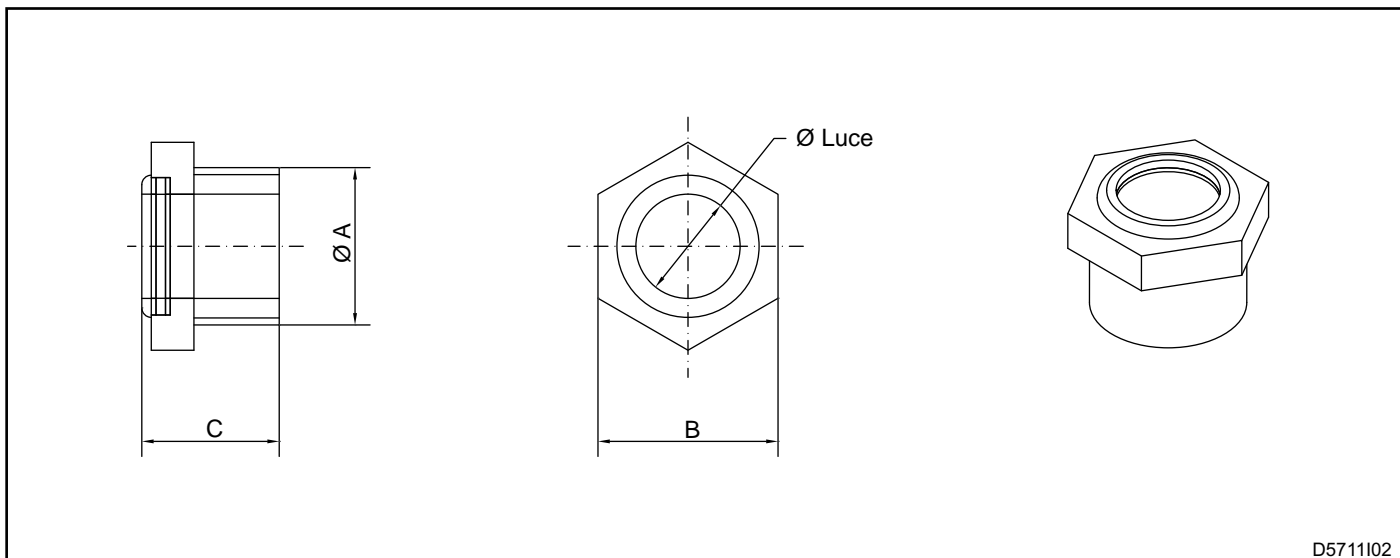
It is possible to perform maintenance operations on the PSHT series peepsights proceeding as follows:

- 1 - Operate when burner is off and cold.
- 2 - If the peepsight needs replacing, dismantle it with appropriate fixed spanners.
- 3 - Unscrew the posterior collar (**pos. 01**), check the integrity of the tightness gaskets (**pos. 02** if necessary replace them), and replace the damaged glass(**pos. 03**).
- 4 - Screw the posterior collar back onto the body, paying attention to correctly center the galss and gaskets (**pos. 05**).
- 5 - Remount the peepsight, putting sealant paste on the thread and screwing on again with appropriate fixed spanners (**pos. 04**).



D5711101

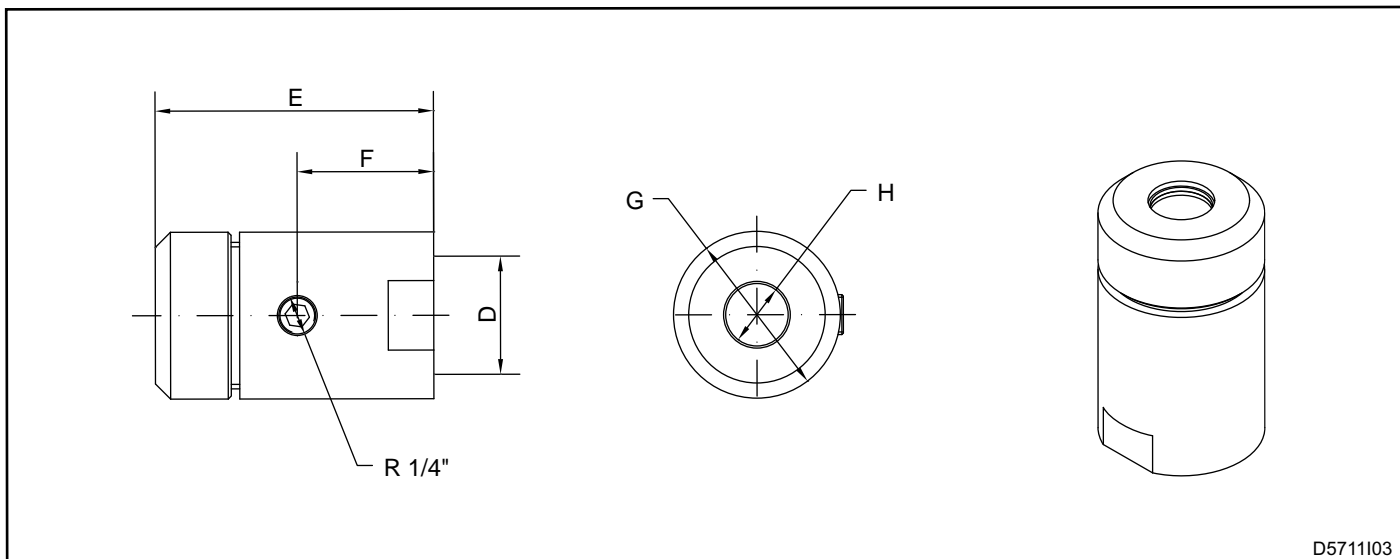
PSLT MODEL DIMENSIONS



D5711102

Model	$\varnothing A$	B [mm]	C [mm]	\varnothing Light [mm]
3 PSLT	G 3/8"	20	23	11
4 PSLT	G 1/2"	24	21	15
6 PSLT	G 3/4"	30	26	18
8 PSLT	G 1"	38	29	21
10 PSLT	G 1.1/4"	50	32	30
12 PSLT	G 1.1/2"	55	32,5	36

PSHT MODEL DIMENSIONS



D5711103

Model	$\varnothing D$	E [mm]	F [mm]	$\varnothing G$ [mm]	$\varnothing H$ [mm]	\varnothing Light [mm]
6 PSHT	G 3/4"	92	45	50	22	20
8 PSHT	G 1"	92	45	50	22	20
10 PSHT	G 1.1/4"	92	45	55	22	20
12 PSHT	G 1.1/2"	90	45	70	37	36
16 PSHT	G 2"	90	45	70	37	36

ESA worldwide distribution



AUTHORIZED DISTRIBUTION STAMP



If you have any doubt about the qualification or identity of the distributor, please check that they appear on our website www.esapyronics.com in the Sales Contacts section, or contact us directly at esa@esacombustion.it



© 2012 ESA S.p.A. Company under the management and coordination of SIAD S.p.A.
All rights reserved.

The information contained herein is offered for use by technically qualified personnel at their discretion and risk without warranty of any kind.

We regularly update our data, for updated data please visit our web site www.esapyronics.com

Printed in Italy
CATukR00/12

Head Office and Factory

ESA S.p.A. Company under the management and coordination of SIAD S.p.A.

Via E. Fermi, 40
I-24035 Curno (Bergamo)
ITALY

esa@esacombustion.it
www.esapyronics.com

Tel.
+39 035 6227411

Fax
+39 035 6227499

Share Capital euro 153.111,00 paid up - Fiscal Nr.: 03428410157 - V.A.T. Nr.: (IT) 00793030164
Reg. Impr. Bg Nr.: 03428410157 - R.E.A. BG-173124 - Export: BG0061150

Pyronics International s.a.
Zoning Industriel, 4ème rue
B-6040 Jumet
BELGIUM

marketing@pyronics.be
www.esapyronics.com

Tel.
+32 71 256970

Fax
+32 71 256979

www.esapyronics.com